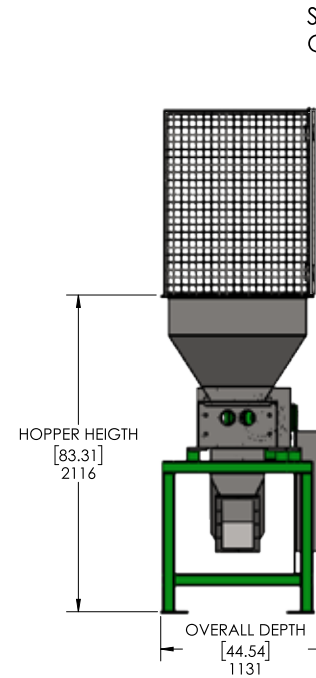
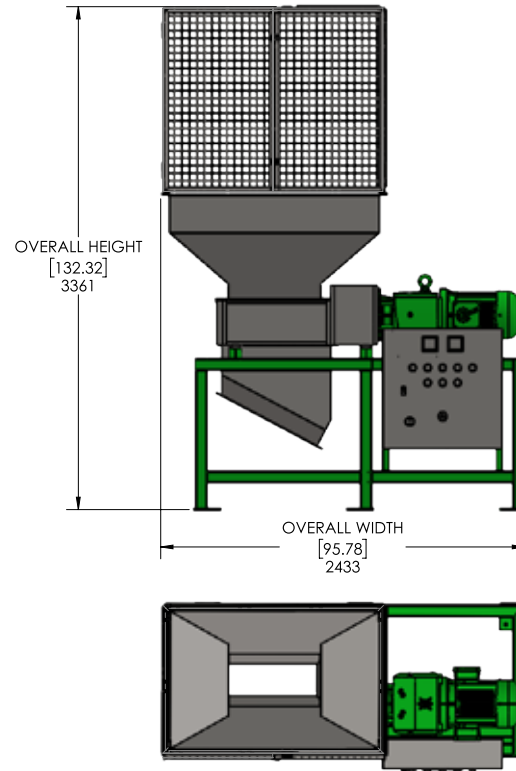
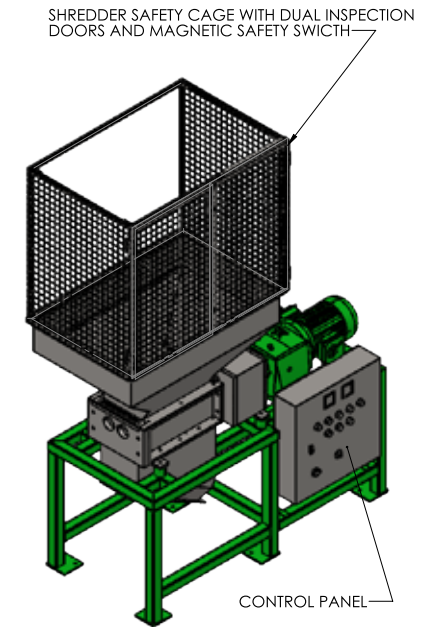


Shredded with Saftey Cage



SIZE OF AUGER WHICH IS BOLTED TO BOTTOM OF SHREDDER IS DEPENDENT ON APPLICATION



DIMS: mm [in]

| | |
|--|--|
| Compatible with: | Cx20 Cx50 |
| Dimension: (Metric/Imperial) | Length: 2433mm / 95.78" |
| | Depth: 1131mm / 44.54" |
| | Height: 3361mm / 132.32" |
| Motor Power Rating: | 15kW |
| Auger: | Stainless Steel Auger to suit required application |

| | |
|--|---|
| As Standard: | Safety cage with inspection doors Auto stop when cage doors are open Auto reverse if jamming occurs |
| Power supply: | Powered by digester |
| EU option Required power supply: | 3 Phase / 400V / 32A |
| USA option Required power supply: | 3 Phase / 208V(240V) / 63A 3 Phase / 460V / 32A |