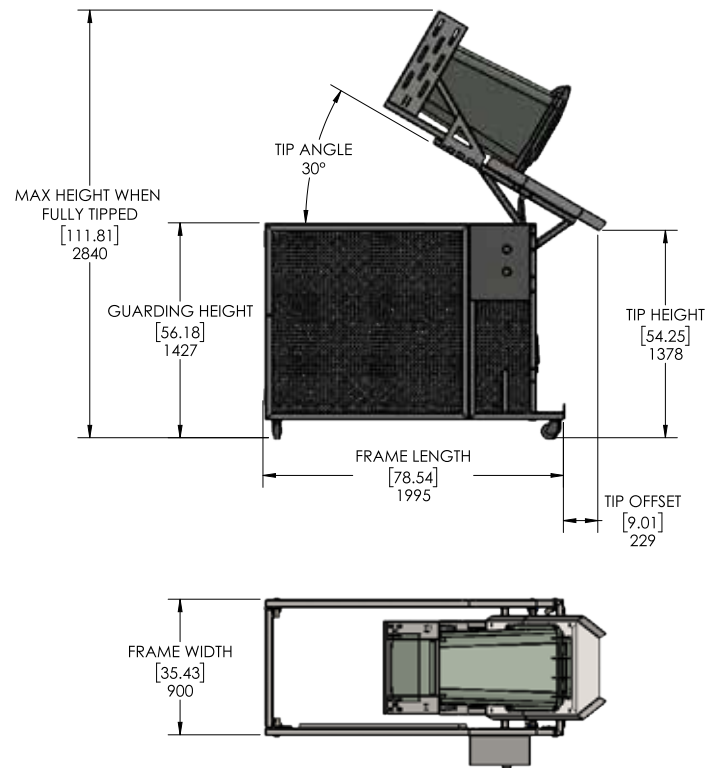


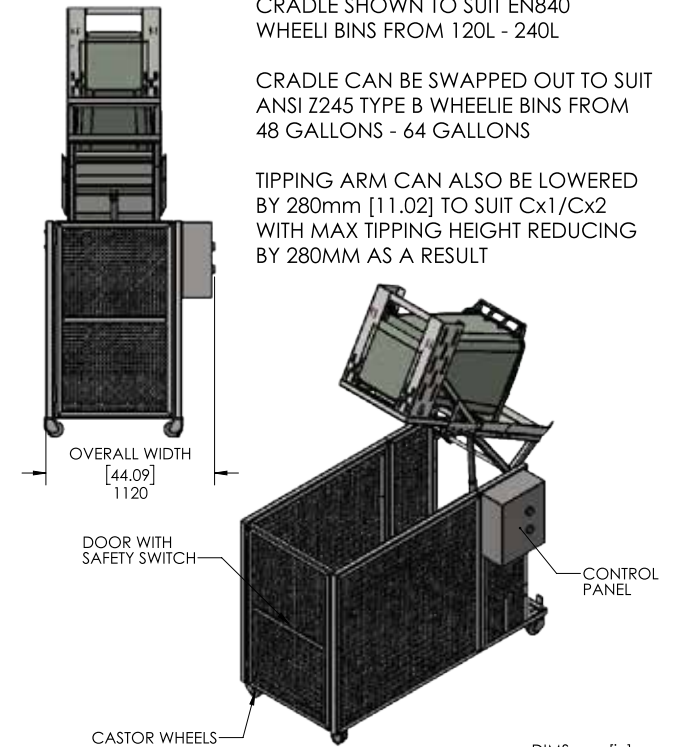
Bin Tipper



CRADLE SHOWN TO SUIT EN840 WHEELIE BINS FROM 120L - 240L

CRADLE CAN BE SWAPPED OUT TO SUIT ANSI Z245 TYPE B WHEELIE BINS FROM 48 GALLONS - 64 GALLONS

TIPPING ARM CAN ALSO BE LOWERED BY 280mm [11.02] TO SUIT Cx1/Cx2 WITH MAX TIPPING HEIGHT REDUCING BY 280MM AS A RESULT



Compatible with:	Cx1, Cx2 & Cx5
Dimension: (Metric/Imperial)	Length: 1995mm / 78.54"
	Depth: 1120mm / 44.09"
	Max Height: Cx1 & Cx2 - 2560mm / 100.78" Cx5 - 2840mm / 111.81"
	Tipping height: Cx1 & Cx2 - 1098mm / 43.23" Cx5 - 1378mm / 54.25"
	Tip offset: 229mm / 9.01"
	Tip Angle: 30°

As Standard:	Cradle to suit either European EN840 Bins from 120L - 240L or American ANSI Z245 Type B Bins from 48 - 64 Gallons Safety Guarding with auto stop when door is opened Locking Castor Wheels
EU option Required power supply:	3 Phase / 400V / 20A
USA option Required power supply:	3 Phase / 208V(240V) /20A 3 Phase / 460V / 20A