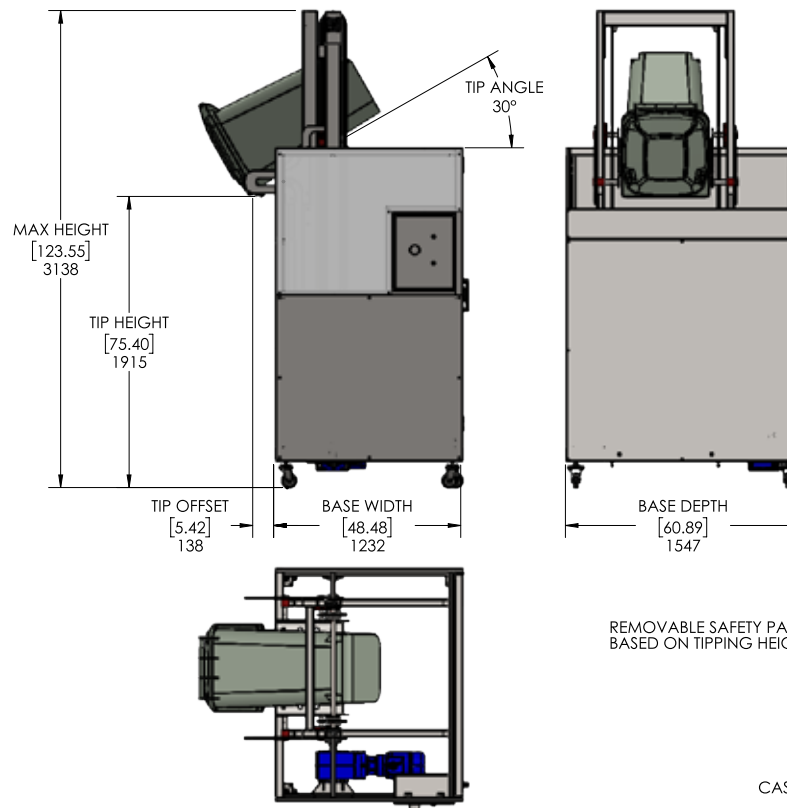


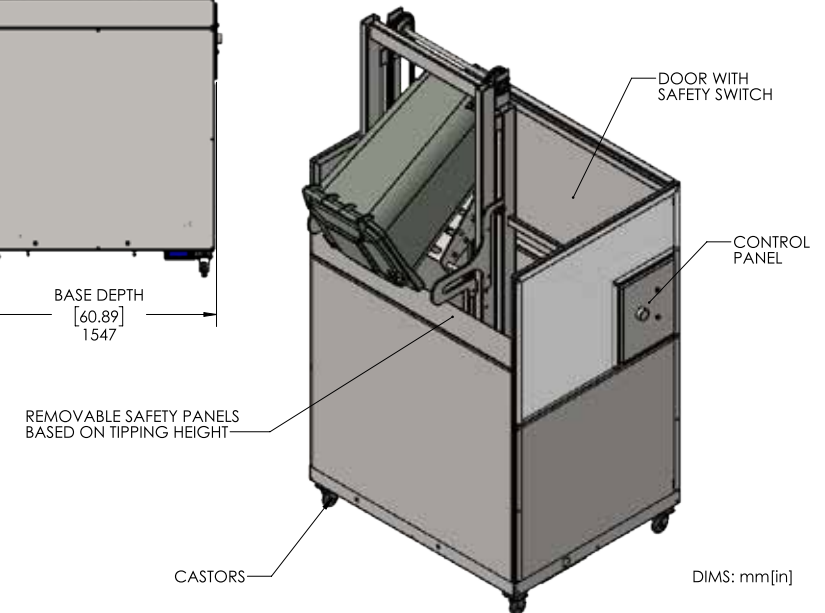
Bin Litter



TIPPING HEIGHT CAN BE SPECIFIED BY CLIENT WITH
MAX HEIGHT = TIP HEIGHT + 1220mm [48]

CRADLE TO SUIT EN840 WHEELIE BINS FROM
120L - 240L

CRADLE TO SUIT ANSI Z245 TYPE B WHEELIE BINS
FROM 48 GALLONS - 64 GALLONS



Compatible with:	Cx10 & Cx20 1.5T, 3T & 6T Hopper 700L/hour Shredder
Dimension: (Metric/Imperial)	Length: 1232mm / 48.48"
	Depth: 1547mm / 60.89"
	Max Height: Based on Tip Height + 1220mm / 48" For example 1.5T hopper = 3138mm/ 123.55"
	Tipping height: Based on customer specification For example 1.5T hopper = 1915mm / 75.40"
	Tip offset: 138mm / 5.42"
	Tip Angle: 30°

Motor Power Rating:	1.5kW
As Standard:	Cradle to suit either European EN840 Bins from 120L - 240L or American ANSI Z245 Type B Bins from 48 - 64 Gallons Safety Guarding with auto stop when door is opened Locking Castor Wheels
Options:	Slip tray can be added to increase tip offset
EU option Required power supply:	3 Phase / 400V / 4A
USA option Required power supply:	3 Phase / 208V(240V) /6A 3 Phase / 460V / 4A