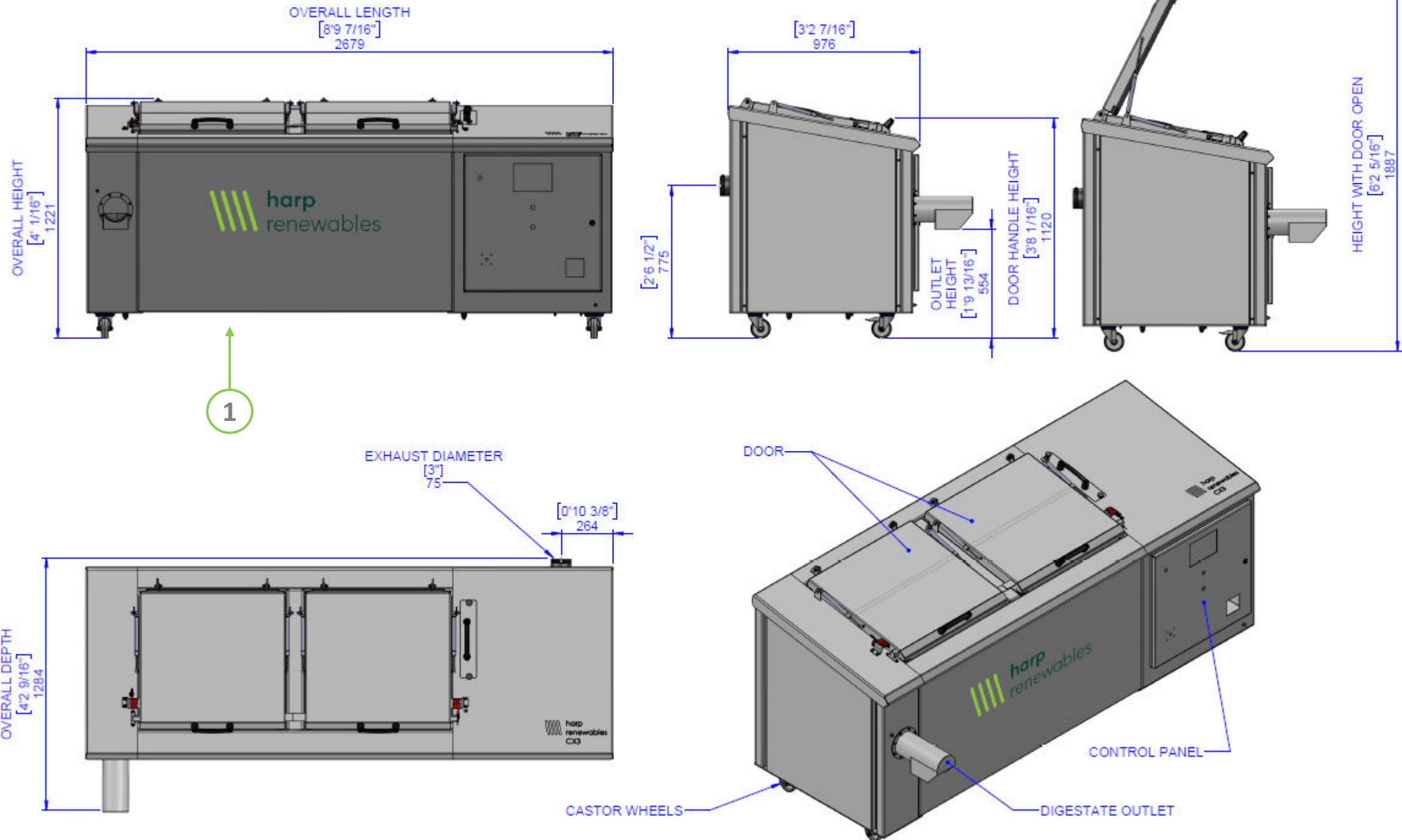


Harp Renewables CX3 Biodigester

Standard Model



1

Type:	Accelerated Aerobic Bio-digester
Operation:	Continuous
Process:	Thermophilic (70°C Nominal)
Insulation:	Fully Insulated Shell

Dimensions:	Length: 2679 mm (105.5")
	Depth: 1284 mm (50.6")
	Height: 1887 mm (74.3")
Approx. Mass:	1100 kg

Max Input Capacity:	3,000 Litres/week* (793 gal/week)
Nominal Output Rate:	Approx. 15-30% of input rate
Volume Reduction:	80-75% (Approx.)
Motor Power Ratings:	0.55 kW/0.37 kW/ 0.18 kW

Heater Thermal Power:	9 kW (total)
Electrical Usage:	10,408.94 kWh/year
EU Power Supply :	3 phase / 400 V / 16 A
USA Power Supply:	3 Phase / 208 V / 25 A and neutral

*Input capacity is dependent on dry mass and bulk density.

PL-CX3-3001